

Installation & Operating Manual: TEC95030

3-Heat Wood Pellet BBQ Grill Controller



INTRODUCTION:

Thank you for purchasing Tempco's TEC95030 3-Heat Wood Pellet BBQ Grill Controller. The TEC95030 can be used as a replacement for the original control.

The TEC95030 is compatible with the following wood pellet grill companies:

- Traeger Company
- Royall
- BLAZ'N
- IPT Sink

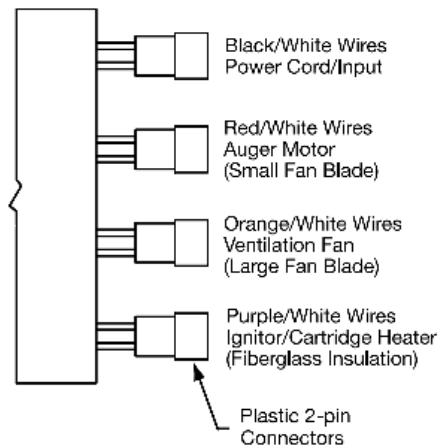
WARNING: Verify that the controller's Power Switch is **OFF** and the line cord plug is disconnected from the outlet, before removing your old controller and installing the new Wood Pellet BBQ Grill Controller. **Failure to heed this warning could result in bodily harm.**

Removing the Existing Wood Pellet Controller

1. **Make sure the grill is unplugged from the outlet before proceeding.**
2. Gain access to the controller wiring harness below the pellet hopper. Sometimes, there is a protective panel below the hopper. Remove and set aside.
3. Disconnect all four 2-pin plastic electrical connectors by pulling them apart.
4. Remove the controller from the grill by unscrewing the two faceplate screws. Save the screws for mounting your new TEC95030 Controller.
5. Gently pull the control out of the panel cutout, being careful of the Printed Circuit Board and wiring harness.

INSTALLATION:

1. Feed the wire harness back through the panel cutout, being careful with the Printed Circuit board.
2. Using the previously saved mounting screws, secure the controller.
3. Working under the pellet hopper, plug in all four 2-pin wiring connectors as follows, refer to the wire diagram.



4. Re-install the access panel under the Pellet Hopper if it was removed.

OPERATION:

1. Verify the Selector Switch is in the **OFF** position and plug the grill into a properly grounded electrical output.
2. Turn the Selector Switch to **Smoke** or any of the nine temperature settings.
3. The ventilation/draft fan and the auger pellet feed motor turns on.
4. The ignitor/cartridge heater will turn on to ignite the wood pellets in the fire pot. After four minutes, the ignitor/cartridge heater will turn off.
5. Set the Selector Switch to your cook temperature and enjoy.

TEMPCO ELECTRIC HEATER CORPORATION
607 N. Central Avenue, Wood Dale, IL 60191-1452 USA
www.tempco.com • info@tempco.com
P: 630.350.2252 • F: 630.350.0232