

# TEMPCO®

## USER MANUAL

### TEC-4230

Self-Tune Fuzzy/PID  
Process/Temperature Controller





## Warning Symbol

This symbol calls attention to an operating procedure, practice, or the like which, if not correctly performed or adhered to, could result in personal injury or damage to or destruction of part or all of the product and system. Do not proceed beyond a warning symbol until the indicated conditions are fully understood and met.

### **NOTE:**

**It is strongly recommended that a process should incorporate a LIMIT CONTROL such as the TEC-910 which will shut down the equipment at a preset process condition in order to preclude possible damage to products or system.**

## **CONTENTS**

- 1. Introduction**
- 2. Numbering System**
- 3. Specifications**
- 4. Installation**
- 5. Operation**
- 6. Recalibration**
- 7. Error Messages and Diagnosis**

Information in this user's manual is subject to change without notice.

Copyright © 2021, Tempco Electric Heater Corporation, all rights reserved. No part of this publication may be reproduced, transmitted, transcribed or stored in a retrieval system, or translated into any language in any form by any means without the written permission of Tempco Electric Heater Corporation.

# 1. Introduction

TEC-4230 Fuzzy Logic plus PID microprocessor-based controller incorporates a bright, easy to read, 4-digit LED display which indicates the process value. Fuzzy Logic technology enables a process to reach a predetermined set point in the shortest time, with the minimum of overshoot during power-up or external load disturbance. The units are housed in a 1/4 DIN case, measuring 96mm x 96mm with 53mm behind-panel depth. The units feature three touch keys to select the various control and input parameters. Using a unique function, you can determine which parameters are accessible by the user. You can also put up to five parameters at the front of the user menu by using SEL1 to SEL5 found in the setup menu. These are particularly useful to OEM's as it is easy to limit access and configure the menu to suit the specific application.

TEC-4230 is powered by 20–32VAC/VDC or 90–264VAC supply, incorporating a 3 amp control relay output and dual 3 amp alarm relay outputs as standard with a second alarm that can be configured in the second output for cooling purposes or as a dwell timer. Alternative output options include SSR drive, triac, 4–20mA and 0–10 volts. TEC-4230 is fully programmable for PT100, thermocouple types J, K, T, E, B, R, S, N, 0–20mA, 4–20mA, and voltage signal input, with no need to modify the unit.

Digital communications format RS-485 or 4–20mA retransmission are available as an additional option. These options allow the TEC-4230 to be integrated with supervisory control systems and software, or alternatively to drive remote displays, chart recorders, or data loggers.

For nearly a hundred years, PID control has been used and has proven to be an efficient controlling method by many industries, yet PID has difficulty dealing with some sophisticated systems such as second and higher order systems, long time-lag systems, during set point changes and/or load disturbances, etc. The PID principle is based on a mathematical model which is obtained by tuning the process. Unfortunately, many systems are too complex to describe precisely in numerical terms. In addition, these systems may vary from time to time. In order to overcome the imperfections of PID control, Fuzzy Technology was introduced. What is Fuzzy Control? It works like a good driver. Under different speeds and circumstances, he can control a car well based on previous experience, and does not require knowledge of the kinetic theory of motion. Fuzzy Logic is a linguistic control which is different from numerical PID control. It controls the system by experience and does not need to simulate the system precisely as a PID controller would.

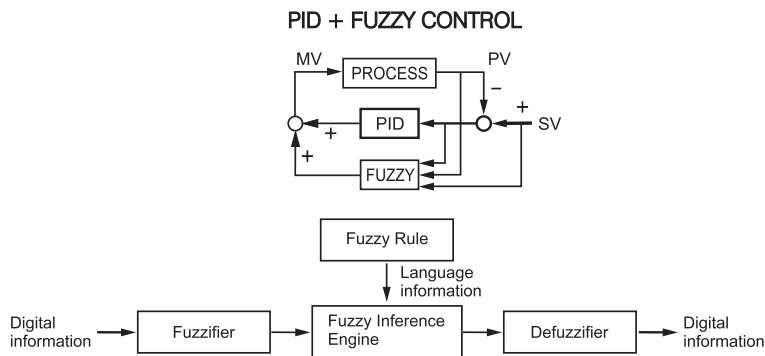


Figure 1.1  
Fuzzy PID System Block

The function of Fuzzy Logic is to adjust PID parameters internally in order to make manipulation of output value MV more flexible and adaptive to various processes.

The Fuzzy Rule may work like this:

If the temperature difference is large, and the temperature rate is large, then  $\Delta MV$  is large.

If the temperature difference is large, and the temperature rate is small, then  $\Delta MV$  is small.

PID+Fuzzy Control has been proven to be an efficient method to improve control stability as shown by the comparison curves below:

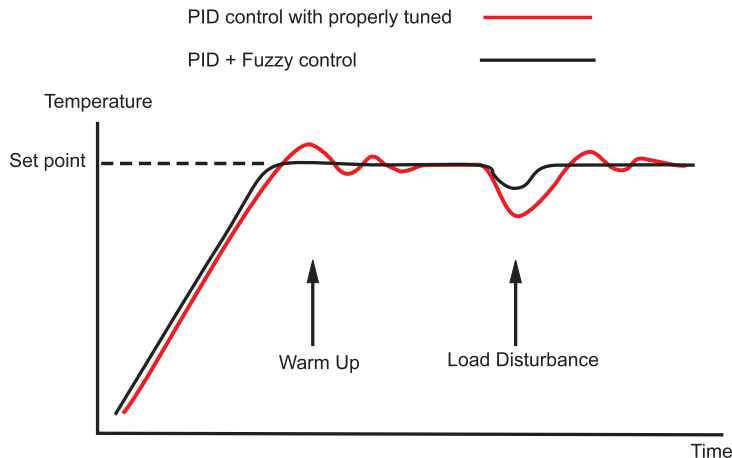


Figure 1.2 Fuzzy PID  
Enhances Control  
Stability

## 2. Numbering System

TEC-4230-                                  
          1 2 3 4 5 6 7 8

### (1) Power Input

- 4 ..... 90–264VAC
- 5 ..... 20–32VAC/VDC
- 9 ..... Other

### (2) Signal Input (can be programmed in the field)

- 5 ..... TC-Configurable: J, K, T, E, B, R, S, N
- 6 ..... RTD-Configurable: DIN or JIS
- 7 ..... Linear-mV or mA: 4–20, 0–20mA; 0–1, 0–5, 1–5, 0–10VDC
- 9 ..... Other

### (3) Range Code

- 1 ..... Field configurable
- 9 ..... Other

### (4) Control Mode

- 3 ..... Field configurable
- 9 ..... Other

### (5) Output 1

- 0 ..... None
- 1 ..... Relay-3A/240VAC
- 2 ..... Pulse DC for SSR drive-24VDC (20mA max)
- 3 ..... 4–20mA, linear (max. load 500 ohms)
- 4 ..... 0–20mA, linear (max. load 500 ohms)
- 5 ..... 0–10VDC, linear (min. impedance 500K ohms)
- 6 ..... Triac-SSR output 1A/240VAC
- 9 ..... Other

### (6) Output 2

- 0 ..... None
- 1 ..... Relay-3A/240VAC
- 2 ..... Pulse DC for SSR drive-24VDC (20mA max)
- 3 ..... 4–20mA, linear (max. load 500 ohms)
- 4 ..... 0–20mA, linear (max. load 500 ohms)
- 5 ..... 0–10VDC, linear (min. impedance 500K ohms)
- 6 ..... Triac-SSR output 1A/240VAC
- 9 ..... Other

### (7) Alarm

- 0 ..... None
- 2 ..... Dual relays-2A/240VAC, field configurable (Alarm 2 can be used for output 2/cooling)
- 9 ..... Other

### (8) Data Communications

- 0 ..... None
- 1 ..... RS-485
- 2 ..... 4–20mA retransmission
- 3 ..... 0–20mA retransmission
- 9 ..... Other

## 3. Specifications

### Input

Sensor	Input Type	Range (°F)	*Accuracy (°F)	Range (°C)	*Accuracy (°C)
J	Iron/Constantan	-58 to 1832°F	±3.6°F	-50 to 1000°C	±2°C
K	Chromel/Alumel	-58 to 2500°F	±3.6°F	-50 to 1370°C	±2°C
T	Copper/Constantan	-454 to 752°F	±3.6°F	-270 to 400°C	±2°C
E	Chromel/Constantan	-58 to 1382°F	±3.6°F	-50 to 750°C	±2°C
B	Pt30%RH/Pt6%RH	32 to 3272°F	±5.4°F	0 to 1800°C	±3°C
R	Pt13%RH/Pt	32 to 3182°F	±3.6°F	0 to 1750°C	±2°C
S	Pt10%RH/Pt	32 to 3182°F	±3.6°F	0 to 1750°C	±2°C
N	Nicrosil/Nisil	-58 to 2372°F	±3.6°F	-50 to 1300°C	±2°C
RTD	PT 100 ohms (DIN)	-328 to 752°F	±0.72°F	-200 to 400°C	±0.4°C
RTD	PT 100 ohms (JIS)	-328 to 752°F	±0.72°F	-200 to 400°C	±0.4°C
Linear	4–20mA	-1999 to 9999	±0.05%	-1999 to 9999	±0.05%
Linear	0–20mA	-1999 to 9999	±0.05%	-1999 to 9999	±0.05%
Linear	0–1VDC	-1999 to 9999	±0.05%	-1999 to 9999	±0.05%
Linear	0–5VDC	-1999 to 9999	±0.05%	-1999 to 9999	±0.05%
Linear	1–5VDC	-1999 to 9999	±0.05%	-1999 to 9999	±0.05%
Linear	0–10VDC	-1999 to 9999	±0.05%	-1999 to 9999	±0.05%

\*Accuracy = Linearity Error + Cold Junction Compensating Error + Lead Compensating Error + Offset Drift Error

**Linear voltage input impedance:** 100K ohms  
**Cold junction compensation:** 0.1°F/°F ambient typical  
**Sensor break protection:** Configurable by operator  
**External resistance:** 100 ohms max.  
**Normal mode rejection:** 60dB  
**Common mode rejection:** 120dB  
**Sample rate:** 5x/second

### Control

**Proportion band:** 0–360°F (0–200°C)  
**Reset (Integral):** 0–3600 seconds  
**Rate (Derivative):** 0–1000 seconds  
**Ramp rate:** 0–99.99°F (0–55.55°C)/minute  
**Dwell:** 0–9999 minutes  
**On-off:** Adjustable hysteresis 0.1–19.9°F (0–11.0°C)  
**Cycle time:** 0–99 seconds  
**Control action:** Direct (for cooling) and reverse (for heating)

### Power

**Rating:** 90–264VAC, 50/60Hz  
**Consumption:** Less than 5VA

### Environmental and Physical

**Safety:** UL 873, CSA 22.2/142-87, IEC 1010-1  
**Protection:** NEMA 4X, IP65  
**EMC emission:** EN50081-1, EN55011  
**EMC immunity:** IEC801-2, IEC801-3, IEC801-4

<b>Operating temperature:</b>	14 to 122°F (-10 to 50°C)
<b>Humidity:</b>	0 to 90% RH (non-condensing)
<b>Insulation:</b>	20M ohms min. (500VDC)
<b>Breakdown:</b>	2000V (AC), 50/60Hz, 1 minute
<b>Vibration:</b>	10–55 Hz, amplitude 1mm
<b>Shock:</b>	200m/s <sup>2</sup> (20g)
<b>Moldings:</b>	Flame retardant polycarbonate
<b>Dimensions:</b>	H: 3.75" (96mm) x W: 3.75" (96mm) Depth behind panel: 2.07" (53mm)
<b>Weight:</b>	4 oz. (110g)

## 4. Installation

**!** Dangerous voltage capable of causing death can be present in this instrument. Before installation or beginning any troubleshooting procedures, the power to all equipment must be switched off and isolated. Units suspected of being faulty must be disconnected and removed to a properly equipped workshop for testing and repair. Component replacement and internal adjustments must be made by a qualified maintenance person only.

**!** To minimize the possibility of fire or shock hazards, do not expose this instrument to rain or excessive moisture.

**!** Do not use this instrument in areas under hazardous conditions such as excessive shock, vibration, dirt, moisture, corrosive gases, or oil. The ambient temperature of the areas should not exceed the maximum rating specified.

### 4-1 Unpacking

Upon receipt of the shipment, remove the unit from the carton and inspect the unit for shipping damage. If there is any damage due to transit, report the damage and file a claim with the carrier.

Write down the model number, serial number, and date code for future reference when corresponding with our service center. The serial number (S/N) and date code (D/C) are labeled on the box and the housing of the controller.

### 4-2 Mounting

Make the panel cutout to fit the dimensions shown in figure 4.1.

Remove both mounting clamps and insert the controller into the panel cutout. Reinstall the mounting clamps. Gently tighten the screws in the clamp until the controller front panel fits snugly in the cutout.

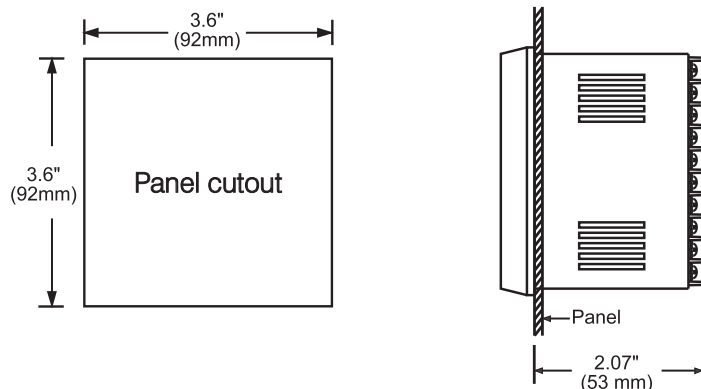


Figure 4.1 Mounting Dimensions

### 4-3 Wiring Precautions

- Before wiring, verify the correct model number and options on the label. Switch off the power while checking.
- Care must be taken to ensure that the maximum voltage rating specified on the label is not exceeded.
- It is recommended that the power for these units be protected by fuses or circuit breakers rated at the minimum value possible.
- All units should be installed in a suitable enclosure to prevent live parts from being accessible to human hands and metal tools. Metal enclosures and/or subpanels should be grounded in accordance with national and local codes.
- All wiring must conform to appropriate standards of good practice and local codes and regulations. Wiring must be suitable for the voltage, current, and temperature rating of the system.
- Beware not to over-tighten the terminal screws. The torque should not exceed 1 N-m (8.9 lb-in or 10 KgF-cm).
- Unused control terminals should not be used as jumper points as they may be internally connected, causing damage to the unit.
- Verify that the ratings of the output devices and the inputs as specified are not exceeded.
- Except for thermocouple wiring, all wiring should use stranded copper conductor with a maximum gage of 14 AWG.
- Electrical power in industrial environments contains a certain amount of noise in the form of transient voltage and spikes. This electrical noise can adversely affect the operation of microprocessor-based controls. For this reason the use of shielded thermocouple extension wire which connects the sensor to the controller is strongly recommended. This wire is a twisted-pair construction with foil wrap and drain wire. The drain wire is to be attached to ground in the control panel only.

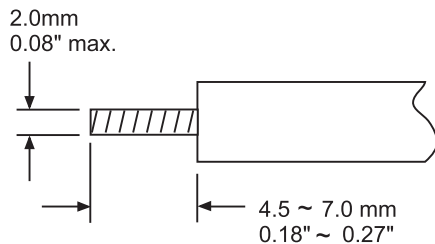


Figure 4.2 Lead Termination

### 4-4 Connection and Wiring

The following connections for outputs and inputs are found on the back of the controller housing.

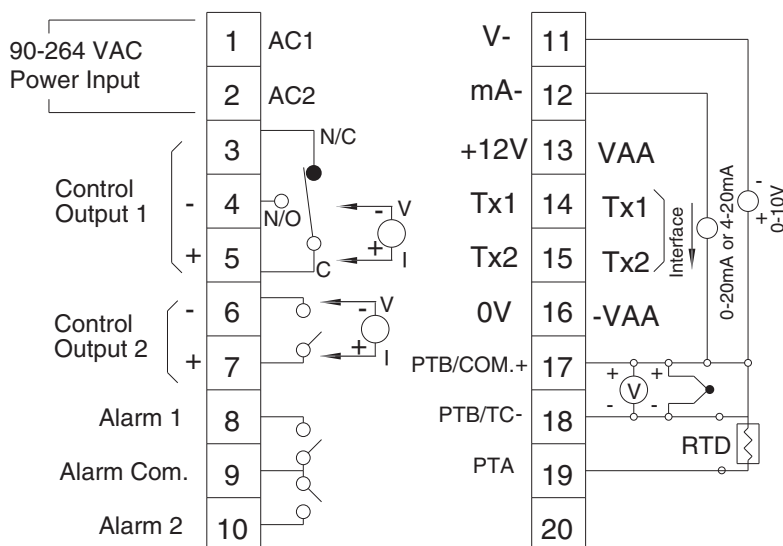



Figure 4.3 Rear Terminal Connections

## Power Wiring

The controller is supplied to operate on 24V (20–32VAC/VDC) or 90–264VAC. Verify that the voltage of the power supply corresponds to that indicated on the product label before connecting power to the controller.

 This equipment is designed for installation in an enclosure which provides adequate protection against electrical shock. The enclosure must be connected to earth ground.

Local requirements regarding electrical installation should be rigidly observed. Consideration should be given to prevent unauthorized personnel from gaining access to the power terminals.

## Input Wiring

Connect the appropriate sensor to terminals 11, 12, 17, 18, or 19 as indicated in figure 4.3. Make sure that the correct sensor type is selected on the controller, and that the correct polarity is observed at both ends of the cable.

For thermocouple wiring, the correct type of extension wire must be used for the entire distance between the controller and the thermocouple. The extension wires must be the same alloy and polarity as the thermocouple, and joints in the cable should be avoided, if possible. The color codes used on the thermocouple extension wires are shown in table 4.1. For wiring three-wire RTD, the two common wires should be connected to terminals 17 and 18, with the compensating lead connected to terminal 18. When using a two-wire RTD, install a jumper between terminals 17 and 18. A three-wire RTD offers the capability of lead resistance compensation, provided that all three leads are the same gauge and material, and of equal length.

**Table 4.1 International Thermocouple Cable Color Codes**

Thermocouple Type	Cable Material	American ANSI	British BS	German DIN	French NFE
J	Iron/Constantan	+ white - red * black	+ yellow - blue * black	+ red - blue * blue	+ yellow - black * black
K	Chromel/Alumel	+ yellow - red * yellow	+ brown - black * red	+ red - green * green	+ yellow - purple * yellow
T	Copper/Constantan	+ blue - red * blue	+ white - blue * blue	+ red - brown * brown	+ yellow - black * black
R S	Platinum/Rhodium	+ black - red * green	+ white - blue * green	+ red - white * white	+ yellow - green * green
B	Platinum/Rhodium	+ grey - red * grey		+ red - grey * grey	

\* Color of overall sheath

## Output Wiring

There are several types of output modules (see section 2) that can be selected for output 1 when ordering the TEC-4230, depending on the control application. Make sure the output device you selected is appropriate for your application requirements. The external connections will depend on the type of output installed. If pulsed voltage is selected, note that pulsed voltage output is non-isolated.

## Sensor Placement

Proper sensor installation can eliminate many problems in a control system. The probe should be placed so that it can detect any temperature change with minimal thermal lag. In a process that requires fairly constant heat output, the probe should be placed close to the heater. In a process where the heat demand is variable, the probe should be close to the work area. Some experiments with probe location are often required to find the optimum position.

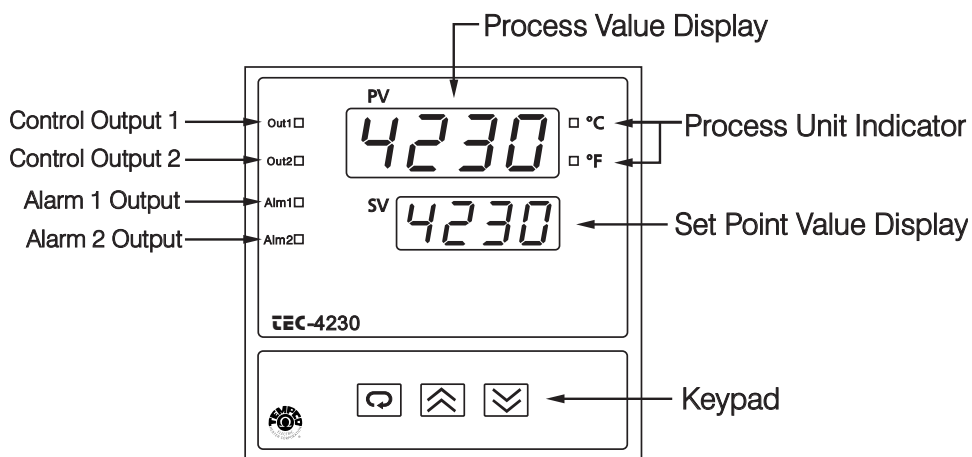
In a liquid process, the addition of a stirrer will help eliminate thermal lag. Since a thermocouple is basically a point measuring device, placing more than one thermocouple in parallel can provide an average temperature readout and produce better results in most air-heated processes.

The proper sensor type is also a very important factor in obtaining precise measurements. The sensor must have the correct temperature range to meet the process requirements. In special processes, the sensor might have additional requirements such as leak-proof, anti-vibration, antiseptic, etc.

Standard sensor limits of error are  $\pm 4^{\circ}\text{F}$  ( $\pm 2^{\circ}\text{C}$ ) or 0.75% of sensed temperature (half that for special) plus drift caused by improper protection or an over-temperature occurrence. This error is far greater than controller error and cannot be corrected on the sensor except by proper selection and replacement.

## 5. Operation

### 5-1 Front Panel Description

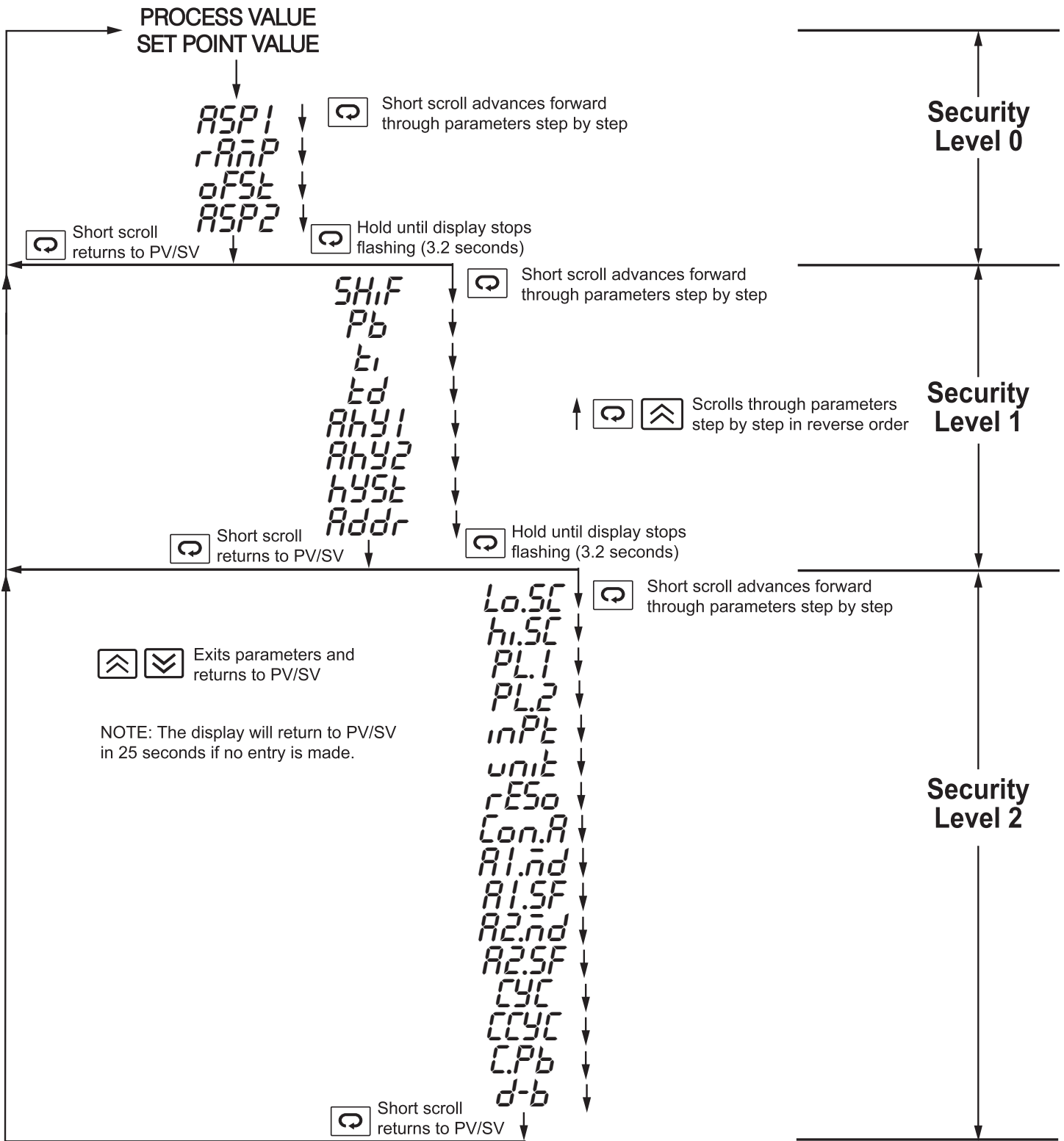


### 5-2 Keypad Operation

TOUCHKEYS	FUNCTION	DESCRIPTION
	Up Key	Press and release quickly to select which digit of a numerical parameter to change. Press and hold to increase the value of the selected digit or to change the selection for an index parameter.
	Down Key	Press and release quickly to select which digit of a numerical parameter to change. Press and hold to decrease the value of the selected digit or to change the selection for an index parameter.
	(Direct) Scroll Key	Selects the parameter in a direct sequence. Also used to select the tool program parameters.
Press  for at least 3.2 seconds	Long Scroll/Enter Key	Selects the parameters in higher security level, and actuates the selected tool program whenever the display is showing a tool program.
Press	Reverse Scroll/Calibration Verification Key	Selects the parameters in a reverse direction during parameter scrolling, or verifies the display accuracy for various input types during calibration.
Press   for at least 3.2 seconds	Lock Key	Disables keypad operation to protect all the parameters from being tampered with.
Press	Tool Program Key	Selects the tool programs in sequence.
Press	Reset/Exit Key	Unlocks keypad operation and resets the front panel display to normal display mode, exits tool program, or stops the autotuning function.
Press   for at least 3.2 seconds	Autotune Key	Starts the autotune program.

\*It takes 12 seconds with power on to memorize the new value of a parameter once it has been changed.

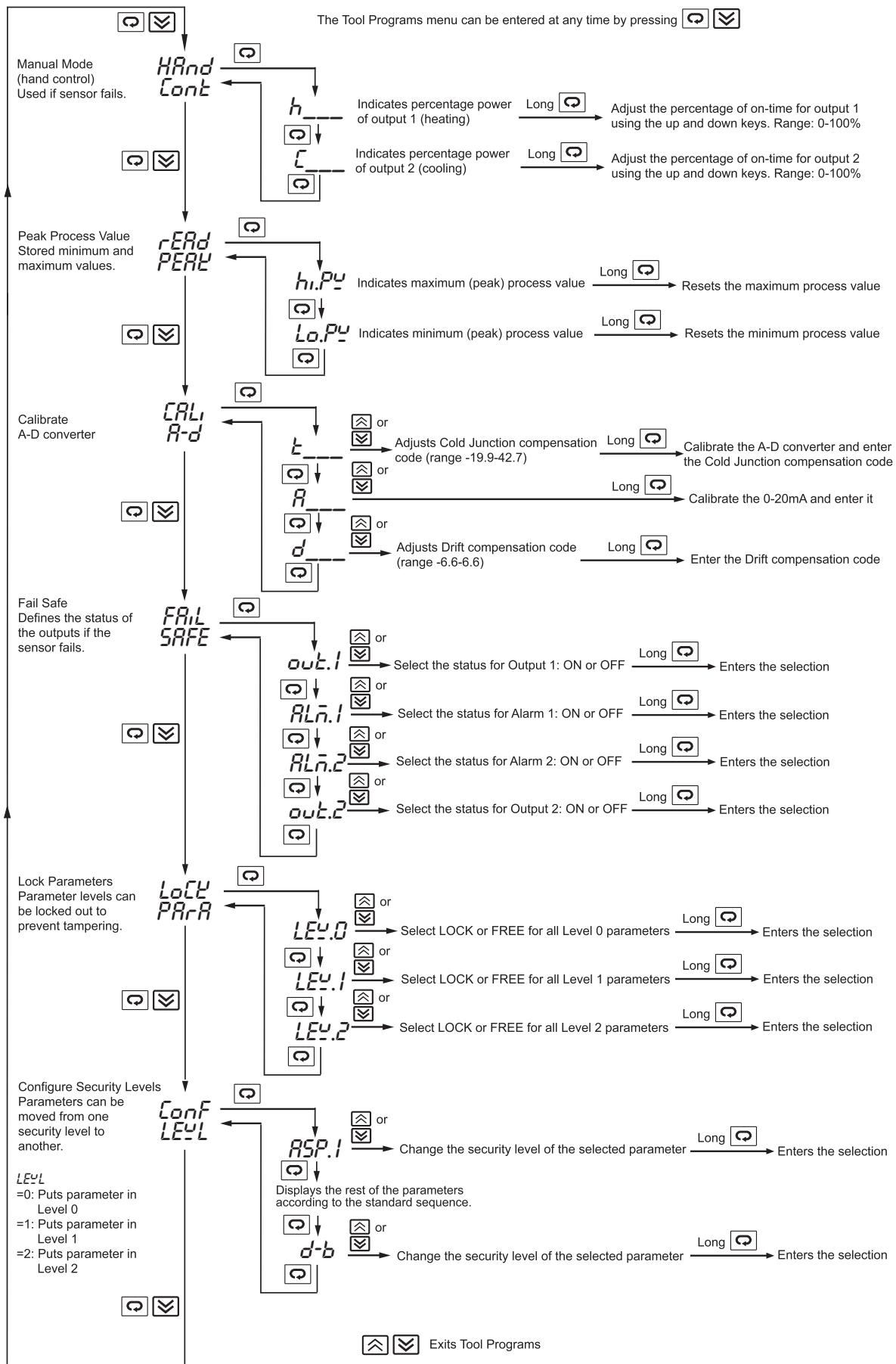
### 5-3 Menu Overview and Descriptions of Parameters



Parameter descriptions:

Default Security Level	Display Code	Description	Adjustment Range	Default Setting
0	<b>SV</b>	Set point value of control	Low scale to high scale value	212°F
	<b>ASPI</b>	Alarm 1 set point value or Dwell time	Trip point within high/low scale or 0–9999 minutes (for dwell time)	18°F (10°C)
	<b>rRnP</b>	Ramp rate	0–99.99°F/minute (0–55.55°C/minute)	0.00
	<b>oFSL</b>	Offset value for manual reset	0–100% Only functional if integral (TI) is set to 0.	0.0
	<b>ASPI2</b>	Alarm 2 set point value	Trip point within high/low scale	18°F (10°C)
1	<b>SHiF</b>	Display shift	-199–199°F (-111–111°C)	0
	<b>Pb</b>	Proportional band of Output 1	0–360°F (0–200°C) 0: for ON-OFF control	18°F (10°C)
	<b>t<sub>i</sub></b>	Integral (reset) time of Output 1	0–3600 seconds	120
	<b>t<sub>d</sub></b>	Derivative (rate) time of Output 1	0–1000 seconds	40
	<b>AhY1</b>	Hysteresis of Alarm 1	0–19°F (0–11°C)	0
	<b>AhY2</b>	Hysteresis of Alarm 2	0–19°F (0–11°C)	0
	<b>hYSL</b>	Hysteresis of ON-OFF control	0–19°F (0–11°C)	0
	<b>Addr</b>	Interface address	0–40	0
2	<b>Lo.SL</b>	Low scale of range. Adjust for your process	Minimum value for the selected input to high scale	0°F
	<b>hi.SL</b>	High scale of range. Adjust for your process	Low scale to maximum value for the selected input	999°F
	<b>PL1</b>	Power limit of Output 1	0–100%	100%
	<b>PL2</b>	Power limit of Output 2	0–100%	100%
	<b>inPt</b>	Input type selection	J, E, E, b, r, S, or n-tC=J, K, T, E, B, R, S, or N type T/C PT100 DIN (Pt100), PT100 JIS (Pt100), 4–20mA, 0–20mA, 0–1V, 0–5V, 1–5V, 0–10V as indicated	J-tC
	<b>unit</b>	Display units	°C = °C °F = °F P <sub>u</sub> = process units (Engineering Units)	°F
	<b>rESo</b>	Resolution	nodP = No decimal point 1dP = 1 decimal place 2dP = 2 decimal places (only when unit = P <sub>u</sub> )	nodP
	<b>Con.A</b>	Control action of Output 1	dirC = Direct (cool) action rEYr = Reverse (heat) action	rEYr
	<b>A1.nd</b>	Alarm 1 mode	dYhi=Deviation high dYLo=Deviation low dbhi=Deviation band high dbLo=Deviation low FShi=Full scale high FSLo=Full scale low	dYhi
	<b>A1.SF</b>	Alarm 1 special function	nonE=No special function LtCh=Latching alarm hold=Holding alarm LtHo=Latching/holding alarm tooN=Timer on as time out tooF=Timer off as time out	nonE
	<b>A2.nd</b>	Alarm 2 mode	Same as Alarm 1 mode	dYhi
	<b>A2.SF</b>	Alarm 2 special function	nonE=No special function LtCh=Latch alarm hold=Hold alarm LtHo=Latch/hold alarm	nonE
	<b>CYC</b>	Proportional cycle time of Output 1	0–99 seconds, 0 for linear current/voltage output	20 for relay output
	<b>CCYC</b>	Cooling cycle time	0–99 seconds, 0 for linear current/voltage output	20 for relay output
	<b>CPb</b>	Cooling P band	0–360°F (0–200°C)	18°F (10°C)
<b>d-b</b>	Deadband for PB and CPB	-199–199°F (-111–111°C)	0	

## 5-4 Flow Chart of Tool Programs



## 5-5 Setting-Up Procedures

When power is applied, the model number and software version number of the controller will be displayed for 3.2 seconds, then all of the display segments and LED indicators will light up for 3.2 seconds. After this initial cycle, the controller will enter normal display mode, showing the process value in the upper display, and the set point value in the lower display. The upper display will flash continuously in the following cases:

1. while executing autotune program
2. while executing manual mode program
3. to warn that the next parameter is a higher level parameter (as the scroll key is pressed). The warning will remain for 3.2 seconds. If the scroll key is released after this duration elapses, the upper display will show the code of the next parameter, and the lower display will show its value. Otherwise, it will return to normal display mode.

The upper display will blink for a moment when a new value of a parameter is being written into the non-volatile memory. The upper display is also used to display error messages if an abnormal condition occurs.

### Parameter Definitions

#### SV—Set Point Value

This parameter is the desired target of the process. It can be adjusted within the range defined by the low scale value (Lo.SC) and high scale value (hi.SC). The default value is 212°F (100°C).

#### ASP1—Alarm 1 Set Point Value or Dwell Time

This sets the levels at which alarm 1 will function if A1.SF (alarm 1 special function) is set for an alarm function. If A1.SF is selected for dwell timer (to.on or to.of), then ASP1 is the timer setting in minutes. The dwell timer starts counting when the process value reaches the set point value. See sections 5-10 and 5-13 for more details.

#### RAMP—Ramp Rate

This controls the heating (or cooling) rate of the process. The setting is in degrees per minute. Set this parameter to zero if no ramp is needed.

#### OFST—Offset Value for Manual Reset

This parameter will only function if the integral time (TI) is set to zero. OFST is then used to compensate for any deviation between the process temperature and the set point temperature. If the process temperature stabilizes below the set point, set a positive value for OFST; if the process temperature stabilizes above the set point, set a negative value for OFST. Wait for the system to stabilize, then make additional adjustments as needed.

#### ASP2—Alarm 2 Set Point Value

This sets the levels at which alarm 2 will function if A2.SF is set for an alarm function. If A2.SF is set for cooling, alarm 2 will preform as a cooling output which is governed by CCyC, C.pb, and d-b. ASP2 will then have no effect.

#### SHIF—Shift Process Value

This value will be added to or subtracted from the process value. This can be used to compensate if the sensor reads a different temperature than the item being sensed.

#### PB, TI, and TD—PID Values

Proportional band, Integral (reset) and Derivative (rate) time constants. These must be set as close as possible to the process application requirements. See section 5-7 for more details.

#### AHY1, AHY2—Hysteresis Values of Alarm 1 and Alarm 2

These values define the deadbands for the alarms. The alarms will not change state until the temperature is outside the deadband.

#### HYST—Hysteresis Value of On-Off Control

This parameter defines the deadband when on-off control is being used and PID control has been disabled.

#### ADDR—Interface Address

This parameter provides an identity code for the RS-485 interface. Note that no two controllers communicating with the same computer can have the same identity code. Ignore this parameter if the controller does not use the RS-485 interface.

#### LO.SC, HI.SC—Low/High Scale Range

If thermocouple or PT100 is selected as the input type (INPT), these parameters are used to define the range of the set point adjustment. If linear process input is selected, these parameters are used to define the range of the process value and set point adjustment. See section 5–14 for more details.

#### PL.1, PL.2—Power Limit for Heating and Cooling Outputs

These parameters limit the maximum output percentage of power for heating or cooling during warm up and in proportional band. If the control has relay or pulsed voltage outputs, the percentage of “on” time will be decreased. If the control has linear current or linear voltage outputs, the actual output levels will be decreased. These are only used for processes where heating or cooling at full speed would be dangerous or would produce unsatisfactory results. For normal applications, these parameters are set at 100%.

#### INPT—Input Type

This is used to program the control for the type of input sensor used.

#### UNIT—Process Units

This parameter is used to select the units displayed. For linear process input, Pu (process unit) can be selected in addition to °F or °C.

#### RESO—Resolution (Set Decimal Point Placement)

This parameter defines the position of the decimal point in the process and set point values. no.dP=no decimal point; 1.dP=one decimal point; 2.dP=two decimal points. Note that 2.dP can only be used for linear process input when Pu is selected for UNIT.

#### CON.A—Control Action of Output 1

This selects reverse (heating) action or direct (cooling) action for output 1.

#### A1.MD, A2.MD—Alarm Mode Selection for Alarm 1 and Alarm 2

This sets the type of alarm required: deviation alarm, band alarm, or process alarm. See section 5–10 for more details.

#### A1.SF—Alarm 1 Special Function

Use this parameter to select any special functions required for use with alarm 1. Latching or holding alarms can be selected (see section 5–10), or to.on or to.of can be selected if dwell timer function is required (see section 5–13).

#### A2.SF—Alarm 2 Special Function

Select hold function or latch function for alarm 2, or select COOL to reconfigure alarm 2 as a cooling output.

#### CYC, CCYC—Proportional Cycle Time of Output 1 and Cooling Output

Select a proper value for the process in accordance with the output devices used. Note that CCYC is only used if A2.SF has been set for cooling. See the following section on initial setup for further discussion.

#### C.PB, D-B—Cooling Proportional Band, Cooling Deadband

Only used if A2.SF has been set for cooling. Otherwise, they may be ignored. See section 5–9 for more details.

### Initial Setup

Use the keypad to view the value of each parameter. Use the up and down keys to set the correct value for each parameter. Note that the new value of each parameter is automatically entered into nonvolatile memory.

The adjustment of proportional cycle time (CYC and CCYC) is related to the speed of the process response and the output device fitted. For a faster process, it is recommended to use SSR (select SSR drive output) or SCR (select linear current or voltage output) to drive the load. The relay output is used to drive a magnetic contactor in a slow process. If a



long cycle time is selected for a fast process, the process may become unstable as a result. Theoretically, the smaller the cycle time selected, the better the control that can be achieved. However, for a relay output, the cycle time should be as large as possible (while maintaining satisfactory control) in order to maximize the life of the relay.

The following table provides cycle time recommendations for avoiding premature relay failure:

Output Device (OUT1 or Cooling Output)	Cycle Time (CYC or CCYC)	Load (resistive)
Relay	20 sec. or more recommended 10 sec. minimum	2A/250VAC or contactor
	5 sec. minimum	1A/250VAC
Solid State Relay Drive	1–3 sec.	SSR
Linear Current/Voltage	0.1 sec.	Phase control module

Note: In an on-off control (when PB is set to zero) the cycle time parameter may be ignored.

### FAIL-SAFE Configuration





FAIL-SAFE is a tool program used to define as on or off the status of output 1 (OUT1), output 2 (OUT2), alarm 1 output (ALM1), and alarm 2 output (ALM2) in the event of a failure. Press and release  and  repeatedly until FAIL-SAFE appears in the display windows. Press the scroll key until the desired output is shown in the upper display. Now press and hold the up or down key to change the status as shown in the lower display. Note that if the desired setting is different from the original one, a long scroll (pressing the scroll key for 3.2 seconds) will be required to enter the new value before proceeding to the next tool parameter. If the FAIL-SAFE status is not critical for a process if the controller should fail, then this section can be ignored.

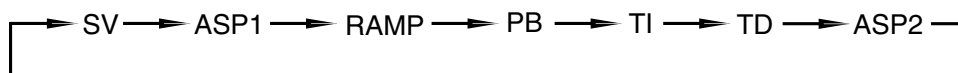
### LOCK Parameter

The flow chart in section 5–4 shows how to reach LOCK PARA and from there reach LEVEL (LEV.0–LEV.2), which is shown in the upper display, and the lock status of that level (LOCK or FREE), which is shown in the lower display. For example, if you select LOCK for LEV.2 and press the scroll key for 3.2 seconds to enter the selection, the all parameters in level 2 can no longer be changed. A LOCK message will appear in the upper display if someone attempts to change a locked parameter.


### Configuring Security Levels of Parameters

One of the features of this controller is the ability to assign the security level for each parameter individually. One of four levels (level 0, level 1, level 2, or level 3) can be assigned to any parameter. The parameters with lower security levels will be displayed before parameters with higher security levels as one cycles through the parameters using the scroll key. Furthermore, level 3 parameters are not displayed on the front panel, so any unused parameters can be assigned security level 3 and removed from the viewing rotation completely.

As shown in section 5.4, to configure a new level for a parameter, press  and  to reach CONF LEVEL, then press  to display the desired parameter. The lower display will indicate the level of the selected parameter. You can now change the level for that parameter using the up and down keys. Finally, press and hold  for 3.2 seconds or longer to enter the new value. For example, if ASP1 and RAMP are set as level 0, PB, TI, and TD are set as level 1, ASP2 is set at level 2, and all other parameters are set as level 3, the scrolling sequence of parameters will be as follows:



## 5-6 Auto-Tune

 The auto-tuning process is performed at the set point. The process will oscillate around the set point during the auto-tuning process. Set the set point to a lower value if overshooting beyond the normal process value would be likely to cause damage.

The auto-tune program should be applied:

- During initial set-up
- When the set point is changed substantially from the previous auto-tune
- When the control results are unsatisfactory

When preparing to run the auto-tune program:

- Make sure that all parameters are configured correctly.
- Make sure that PB is not set to zero, because the auto-tune program cannot be run in on-off control mode.
- Set the set point at the normal operating process value (or at a lower value if overshoot is likely to cause damage) and use normal load conditions.
- Press and hold the up and down keys for 3.2 seconds then release together. The upper display will flash while the auto-tune program is running.

Auto-tune “teaches” the controller the main characteristics of the process. It “learns” by cycling the output on and off. The results are measured and used to calculate the optimum PID values for the process which are then automatically entered into the nonvolatile memory.

During the second period of the auto-tune program, the controller performs PID control to verify the results, and an OFST value is obtained and entered in the memory.

To stop the auto-tune program, press the up and down keys and release them together. The upper display will stop flashing, indicating that the auto-tune program has been aborted. Once the controller has entered the verifying period, auto-tuning cannot be stopped.

## 5-7 Tuning the Controller Manually

- Make sure that all parameters are configured correctly.
- Set PB to zero. Set HYST to minimum (0.1°F or 0°C).
- Set the set point at the normal operating process value (or at a lower value if overshoot is likely to cause damage) and use normal load conditions.
- Switch on the power supply to the heater. Under these conditions, the process value will oscillate about the set point and the following parameters should be noted:

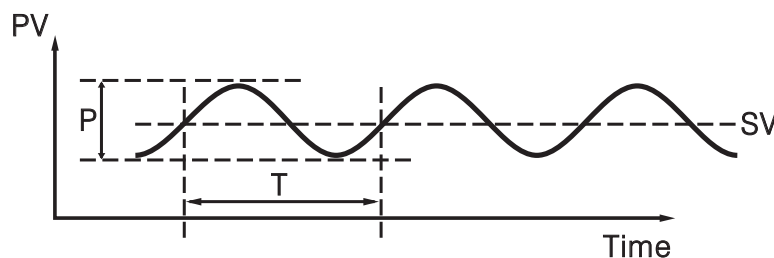
1. The peak to peak variation (P) of the first cycle in °F or °C (i.e., the difference between the highest value of the first overshoot and the lowest value of the first undershoot).
2. The cycle time (T) of the oscillation in seconds (see figure below).

The control setting should then be adjusted as follows:

$PB = P$  (°F or °C)

$TI = T$  (seconds)

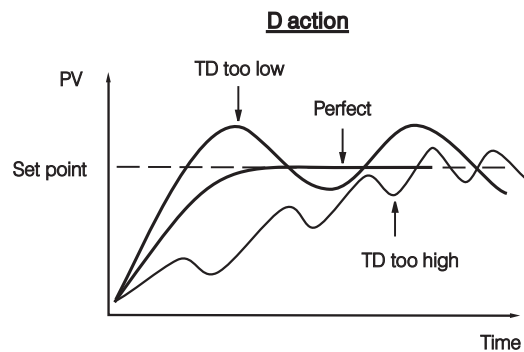
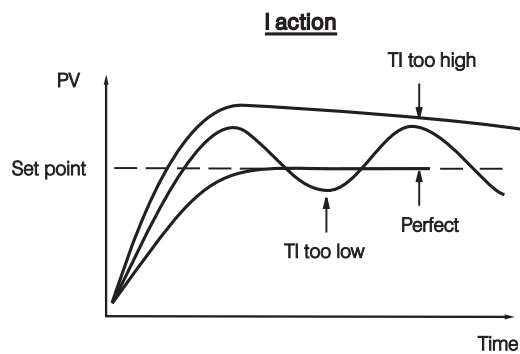
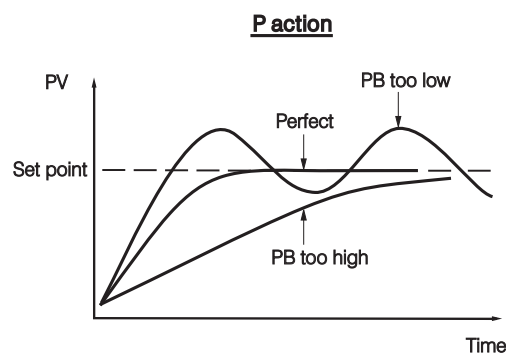
$TD = T/4$  (seconds)



The PID parameters determined by the above procedures are rough values. If the control results using the above values are unsatisfactory, the following rules may be used to further adjust the PID parameters:

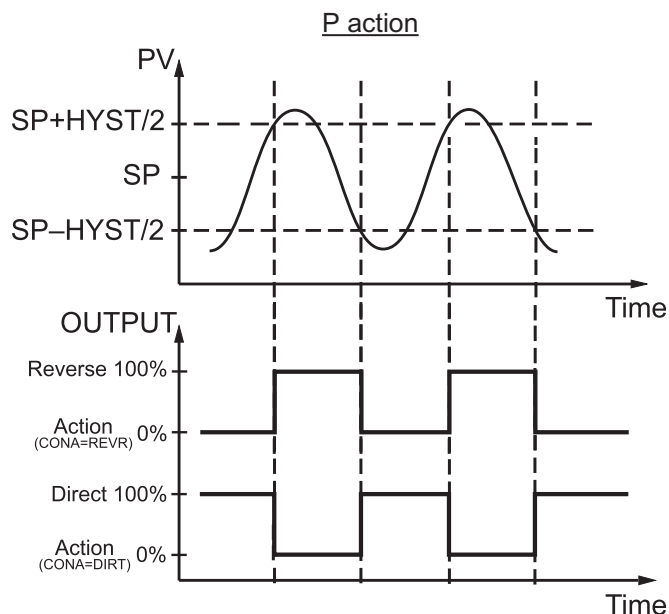
Adjustment Sequence	Symptom	Solution
Proportional Band (P) PB	Slow response	Decrease PB
	High overshoot or oscillations	Increase PB
Integral Time (I) TI	Slow response	Decrease TI
	Instability or oscillations	Increase TI
Derivative Time (D) TD	Slow response or oscillations	Decrease TD
	High overshoot	Increase TD

Effects of PID adjustments on process response:



## 5–8 On-Off Control

If the alarm output is configured as an alarm function, it basically performs as an on-off control. If you adjust the P band to PB=0, you can get an additional channel of on-off control with variable hysteresis. Hysteresis, also called differential or deadband, is measured in degrees. See the figure below for a description of on-off control.



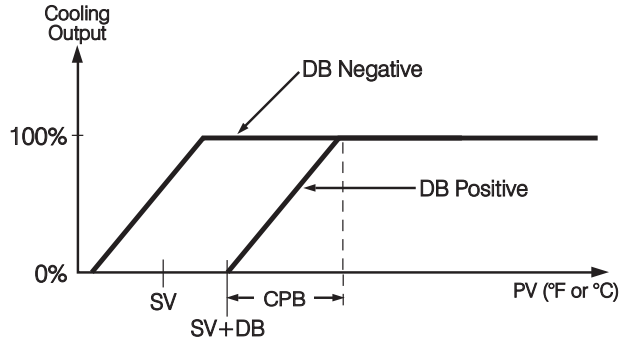
On-off control may create excessive process variation from the set point, even if the hysteresis is set at the minimum possible value. When using on-off control, the parameters TI, TD, and CYC will have no effect on the system, and both manual mode and the auto-tune program will be disabled.

## 5–9 Cooling Control

Cooling control options:

Output Configurations	Heating Output	Cooling Output	Adjusted Parameters
On-Off Cooling (no heating)	None	OUT1	CONA=DIRT HYST SV
Proportional Cooling (no heating)	None	OUT1	CONA=DIRT PB, TI, TD, CYC, SV
Heating + On-Off Cooling	OUT1	ALM2	CONA=REVR A2SF=NONE A2MD=DVHI (or FSHI) AHY2, SV (or ASP2)
Heating + Proportional Cooling	OUT1	ALM2	CONA=REVR A2SF=COOL CPB, DB, CCYC, SV

Functions of CPB and DB: the cooling P band CPB and the deadband DB are measured in degrees.

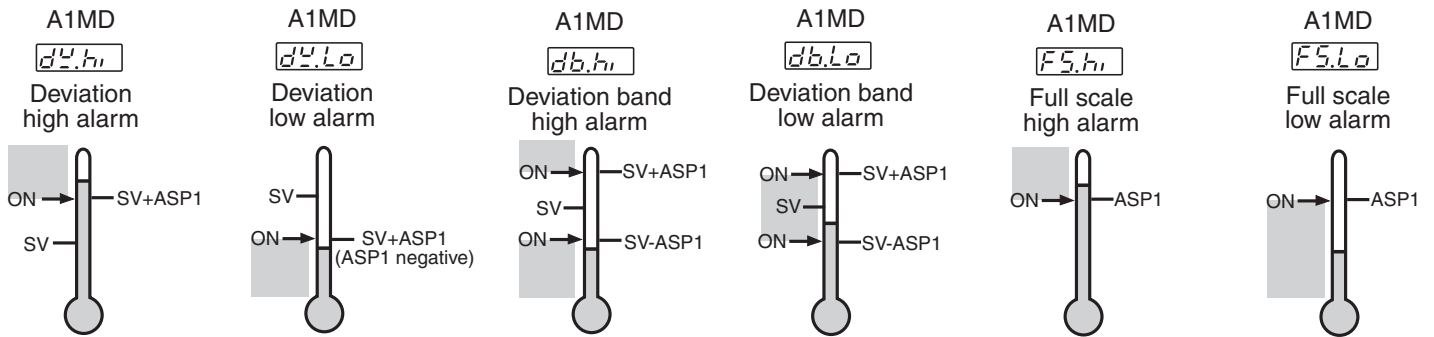


### 5-10 Alarm

There are at most two independent alarms that can be made available by adjusting the alarm special function parameters A1SF and A2SF. While the descriptions in this section are based on alarm 1, they can also be applied to alarm 2.

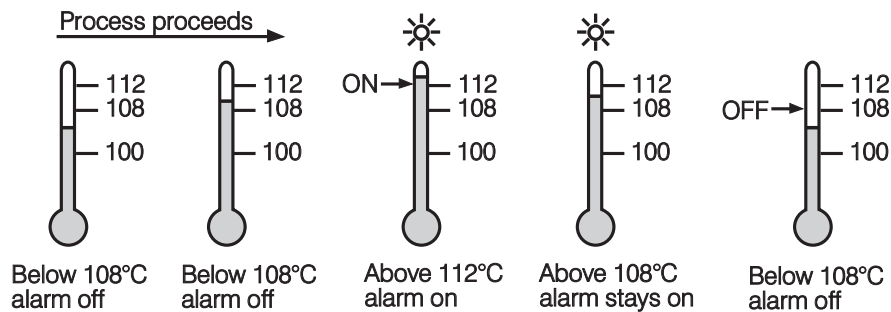
- No special function: A1SF= `none`

: Alarm on



- Latch Alarm: A1SF=LTCH**  
When selected, the alarm output and indicator latch as the alarm occurs. The alarm output and indicator will be energized even if the alarm condition has been cleared, unless the power is shut off.
- Hold Alarm: A1SF=HOLD**  
When selected in any alarm mode, prevents an alarm on power up. The alarm is enabled when the process value reaches the set point value.
- Latch and Hold Alarm: A1SF=LT.HO**  
When selected in any alarm mode, prevents an alarm on power up. The alarm is enabled when the process value reaches the set point value. Thereafter, the alarm acts as a latch alarm as described above.
- Hysteresis (AHY1) adjustment**

Example: no special function used with deviation high alarm, SV=100°C, ASP1=10°C, AHY1=4°C



## 5-11 Viewing the Output Percentage Power

Scroll through the tool programs until you come to HAND CONTROL **hAnd** **Cont**, then press the scroll key. The upper display will now show the process value and the lower display will show the percentage power of output 1 (for example, **H 54**). To view the cooling output, press scroll again. If alarm 2 is configured as a cooling output (A2SF=COOL), the lower display will now show the percentage power of alarm 2 (for example, **[ 27 ]**). If alarm 2 is configured as an alarm, this percentage power reading is invalid and should be ignored.

The range of percentage power is from 0–100%. If the unit is configured for on-off control, only 0 or 100 will be displayed. For a proportional control, the output percentage power represents the percentage of the duty cycle the output spends in the ON-state. (e.g., if cycle time CYC=10 seconds, and the output spends 4 seconds on and 6 seconds off during each duty cycle, the lower display would read **H 40**)

## 5-12 Manual Control

Follow the procedures from section 5-11, then press and hold the scroll key for 3.2 seconds and release. The controller will now enter manual control mode. The upper display will begin to flash and the output percentage can now be adjusted using the up and down keys. Note that manual control mode is not available if the control is configured for on-off control (PB=0). If it is attempted, an error message (OPER) will appear in the upper display.

Manual control mode should be used:

- When teaching the process
- If the controller fails



Manual control mode is an open loop control. The process may rise to a dangerous temperature. Special attention must be paid to the process in order to prevent damage to the system.

## 5-13 Ramp and Dwell

The controller can be configured to act either as a fixed set point controller or as a single ramp controller on power up. This function enables the user to set a predetermined ramp rate (RAMP) to allow the process to reach the set point temperature gradually, producing a “soft start” effect.

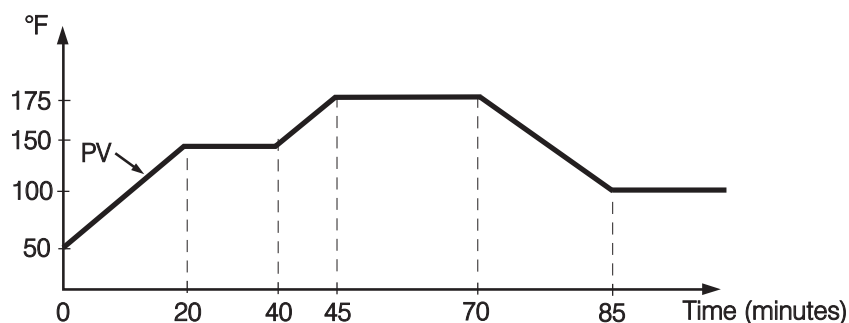
A dwell timer is incorporated in the controller. Alarm 1 can be configured to provide either a dwell function or a soak function when used in conjunction with the ramp function.

### Ramp Function

If the ramp function is selected, the process will increase or decrease at a predetermined rate during initial power up, or with set point changes or process variations.

The ramp rate is determined by the “RAMP” parameter, which can be adjusted through a range from 0–99.99°F/minute (0–55.55°C/minute). If the “RAMP” parameter is set to zero, the ramp function is disabled.

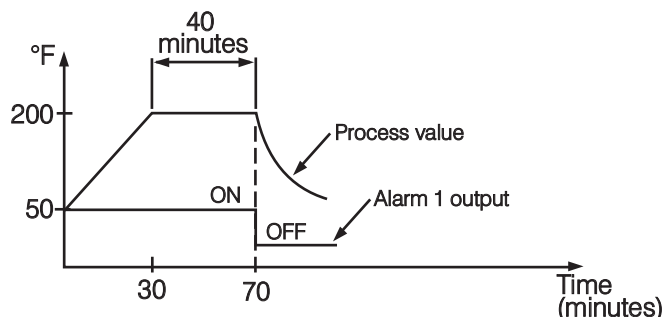
In the example below, RAMP is set at 5.00°F/minute, the ambient temperature is 50°F, and power is applied at zero time. The process value climbs to the initial set point of 150°F over a period of 20 minutes. The process temperature is held until the set point value is changed to 175°F at 40 minutes. The process value then climbs to the new set point over a period of 5 minutes and the new set point is held. At 70 minutes, the set point value is decreased to 100°F and the process value falls to the new set point over a period of 15 minutes.



## Ramp and Soak Function

The soak function is enabled by configuring alarm 1 to act as a dwell timer. If A1SF is set for TOON (time out on), the alarm 1 relay will act as a timer contact, with the contact being open at power up and closing after the time set in ASP1 has elapsed. If A1SF is set for TOOF (time out off), the alarm 1 relay will perform the reverse action. If the heater (or contactor coil) is wired in series through the alarm 1 relay and the out 1 relay, the controller will act as a guaranteed soak controller.

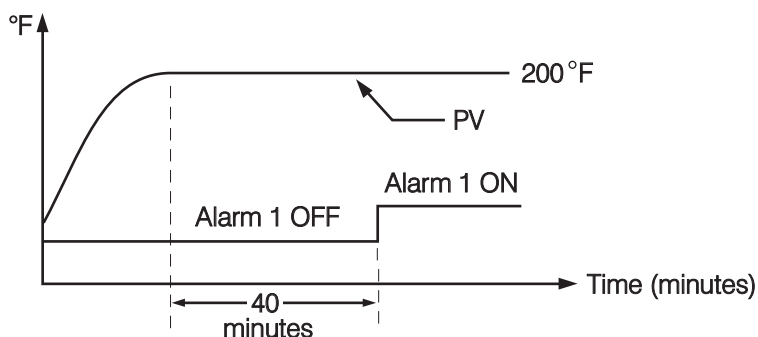
In the example below, RAMP is set for 5.00°F/minute, A1SF=TOOF, and ASP1=40 (minutes). Power is applied at zero time, and the process climbs from the ambient temperature of 50°F to the set point of 200°F over 30 minutes. The dwell timer is activated upon reaching the set point and, after the soak time of 40 minutes, the alarm 1 relay will open, switching off the output. The process temperature will then fall at an undetermined rate.



## Dwell Function

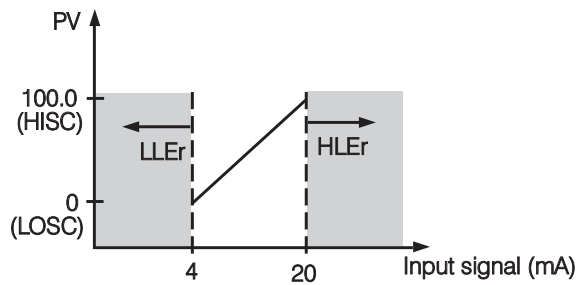
The dwell function is enabled by configuring alarm 1 to act as a dwell timer. If A1SF is set to TOON (time out on), the alarm 1 relay will operate as a timer contact with the contact being open on initial start up. The timer begins to count down once the set point temperature has been reached. After the amount of time set in ASP1 has elapsed, the alarm 1 relay will close. This function can be used to operate an external device such as a siren or a light (for example) to alert the operator when a minimum desired soak time has been reached.

In the example below, the ramp rate has been set to zero, A1SF=TOON, and ASP1=40 (minutes). Initial start up is at zero time, and the process climbs to the 200°F set point at the maximum rate. Once the set point is reached, the dwell timer begins to count. After 40 minutes, the alarm 1 relay closes. The controller will continue to act as a fixed set point controller.



## 5-14 Re-ranging Linear Process Inputs

Select an appropriate input type (INPT). Define the range by adjusting LOSC and HISC. In the example below, INPT=4-20 (mA), LOSC=0, HISC=100.0, and RESO=1DP. For a 4mA input, the process value will read 0 (LOSC), and for a 20mA input, the process value will read 100.0 (HISC). For a 10mA input, the process value will read 37.5. If the input signal is outside of the range defined by LOSC and HISC, an error message (LLer or HLer) will be shown in the upper display.



## 5–15 Read Peak Process Values

The maximum and minimum values of the process value are continuously updated and stored in the memory after power up. Press both and to access the “READ PEAK” tool program. Press the scroll key to select or in the lower display. The upper display will now show the high peak value or low peak value of the process, respectively.

To reset the peak values, press and hold the scroll key for 3.2 seconds, then release. Both the low and high peak values will now be revised by the current process value.

## 5–16 Lock/Unlock Parameters

- Lock all of the parameters

Press and hold both and for 3.2 seconds, then release. Keypad operation is now disabled to protect the parameters from tampering. To unlock the keypad, press and release the up and down keys.

- Lock all parameters in a given security level  
Refer to “LOCK Parameter” in section 5–5.

# 6. Recalibration

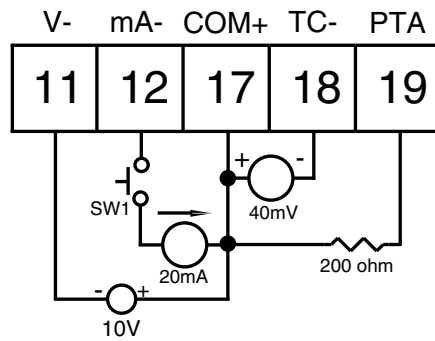
Do not proceed through this section unless there is a definite need to recalibrate the controller. All previous calibration data will be lost. Do not attempt recalibration unless you have the appropriate calibration equipment available. If the calibration data is lost, you will need to return the controller to your supplier who may charge you a service fee to recalibrate the controller.

- Equipment needed

1. Standard millivolt source with a range of 0–100mV with accuracy of  $\pm 0.01\%$ .
2. Standard voltage source with a range of 0–10V with accuracy of  $\pm 0.01\%$ .
3. Standard current source with a range of 0–20mA with accuracy of  $\pm 0.01\%$ .
4. Standard ohm source with a range of 0–300 ohms with accuracy of  $\pm 0.01\%$ .
5. Standard thermometer with a range of 32–122°F (0–50°C) with accuracy of  $\pm 0.36^\circ\text{F}$  ( $\pm 0.2^\circ\text{C}$ ).
6. A cooling fan or, ideally, a calibration fixture equipped with a fan and a push-button switch.
7. Thermocouple simulator.

- Calibration setup:

1. Select T/C input, UNIT= $^\circ\text{F}$ , RESO=1DP
2. Switch the power off
3. Disconnect the sensor wiring
4. Connect the input terminals of the controller to the signal sources according to the following diagram
5. Install a fan to blow on the cold-junction compensator located at the rear edge of the lower PCB to prevent it from warming up.



• Calibration procedures

1. Press both scroll and down keys, then release to access the tool programs. Repeat until **[CAL]**, **[A-d]** appears on the displays.
2. Press and release the scroll key. The lower display will show a number with the prefix “t”.
3. Use the up and down keys to change the value of the lower display until it matches the ambient temperature in °F as measured by the standard thermometer.
4. Press the scroll key for at least 3.2 seconds, then release. The upper display will blink for a moment and then show the ambient temperature in °F.
5. Press and release the scroll key. The lower display will show a number with the prefix “A”, and the upper display will show 0.00.
6. Press and hold down push-button switch SW1 from the diagram above. While holding down SW1, Press and hold the scroll key for at least 3.2 seconds, then release. The upper display will now show 20.00. Release SW1.
7. Press and release the scroll key. The lower display will show a number with the prefix “d”. If the number is not 0.0, use the up and down keys to set it to 0.0, then press the scroll key for at least 3.2 seconds, then release.

• Verify calibration accuracy

1. Repeat step 1 from the calibration procedures as described above.
2. Press and release the scroll key until an “A” code is shown in the display. The display will indicate process value with respect to the 0–20mA input. Feed a standard signal to the correct mA input terminals and examine the accuracy of the display.
3. Press and release the scroll key again until a “d” code is shown in the display. Now the display will indicate process value with respect to the INPT type selected. Feed a standard signal to the appropriate input terminals and examine the accuracy of the display.
4. Press the scroll and up keys, then release quickly. The display will indicate process value with respect to the PT100/DIN input. Feed a standard signal to the PT100 input terminals and examine the accuracy of the display.
5. Press the scroll and up keys, then release quickly. The display will indicate process value with respect to the 0–10V input. Feed a standard signal to the voltage input terminals and examine the accuracy of the display.

• Warm-up drift correction for thermocouple input. After completing the calibration procedures above, connect a thermocouple to terminals 13 and 14 (observing polarity) and select the correct INPT for the thermocouple. Switch the power on and leave it on for at least 30 minutes. If the controller does not measure the correct temperature for the thermocouple, the following procedures may be used to correct the error.

1. Perform steps 1 and 2 from the calibration procedures.
2. Press and release the scroll key.
3. Press and release the scroll key again. Now the “d” code with zero value will show on the display.
4. Use the up and down keys to change the “d” code value until the upper display shows the correct temperature. The “d” code is always shown in °C, regardless of the setting of the UNIT parameter.
5. Press the scroll key for at least 3.2 seconds, then release. The upper display will blink for a moment, then show an accurate temperature. If the accuracy of the controller is still unsatisfactory, replace the controller.

## 7. Error Messages and Diagnosis



This procedure requires access to the circuitry of a unit connected to live power. Dangerous accidental contact with line voltage is possible. Only qualified personnel are to perform these procedures. Potentially lethal voltages are present.

Experience has proven that many control problems are not caused by a defective instrument. See the chart below and table 7.1 for some of the other common causes of failures.

- Line wires are improperly connected
- No voltage between line terminals
- Incorrect voltage between line terminals
- Connections to terminals are open, loose, or missing
- Thermocouple is open at tip
- Thermocouple lead is broken
- Shorted thermocouple leads
- Short across terminals
- Open or shorted heater circuit
- Open coil in external contactor
- Burned out line fuses
- Burned out relay inside control
- Defective solid-state relays
- Defective line switches
- Burned out contactor
- Defective circuit breakers

If the points listed on the chart have been checked and the controller still does not function, it is suggested that the instrument be returned for inspection. Do not attempt to make repairs. Be sure to use adequate packing materials to prevent damage during shipment.

**Table 7.1 Troubleshooting**

<b>Symptom</b>	<b>Probable Cause(s)</b>	<b>Solution(s)</b>
1. Keypad doesn't function	-Bad connection between PCB and keypads	-Clean contact area on PCB -Replace keypads
2. LEDs will not light	-No power to instrument -Power supply defective	-Check power line connections -Replace power supply board
3. Some segments of the display or LED lamps not lit or lit erroneously	-LED display or LED lamp defective -Related LED driver defective	-Replace LED display or LED lamp -Replace the related transistor or IC chip
4. Process display shows: SBER	-Sensor break error	-Replace RTD or sensor -Use manual mode operation
5. Process display shows: LLER	-Input signal beyond the low range, sensor fails -Incorrect input type selected	-Replace sensor -Check sensor or thermocouple type, correct input selection
6. Process display shows: HLER	-Input signal beyond the high range, sensor fails -Incorrect input type selected	-Replace sensor -Check sensor or thermocouple type, correct input selection
7. Process display shows: ADER	-A to D module damage	-Replace module. Check for outside source of damage such as transient voltage spikes.
8. Process display shows: OPER	-Incorrect operation of autotune -Set point for autotune too low -Manual mode does not allow on-off control	-Set P band greater than 0, repeat procedure -Increase set point -Increase proportional band
9. Process display shows: CSER	-Check sum error, values in memory may have changed accidentally	-Check and reconfigure the control parameters
10. Process display shows: NTER	-Data failed to be entered into EEPROM	-Replace EEPROM
11. Process display shows: OVER	-Overflow error, data out of range during execution of software program	-Check for electrical noise
12. Process display shows: LOCK	-Attempt to change a locked parameter	-Unlock parameter (see section 5–16)
13. Display unstable	-Analog portion or A-D converter defective -Thermocouple, RTD, or sensor defective -Intermittent connection of sensor wiring	-Replace related components or board -Check thermocouple, RTD, or sensor -Check sensor wiring connections
14. Considerable error in temperature indication	-Wrong sensor or thermocouple type/wrong input mode selected -Analog portion or A-D converter defective	-Check sensor or thermocouple type and if proper input mode was selected -Replace related components or board
15. Display goes in reverse direction (counts down scale as process warms)	-Reversed input wiring of sensor	-Check and correct
16. No heat or output	-No heater power (output), incorrect output device used -Output device defective -Open fuse outside of the instrument	-Check output wiring and output device -Replace output device -Replace output fuse
17. Heat or output stays on but indicator reads normal	-Output device or power source shorted	-Check and replace
18. Control abnormal or operation incorrect	-CPU or EEPROM (non-volatile memory) defective. Key switch defective -Operation of control incorrect	-Check and replace -Read the operation procedure carefully
19. Display blinks, entered values change by themselves	-Electromagnetic interference (EMI), or Radio Frequency interface (RFI) -EEPROM defective	-Suppress arcing contacts in system to eliminate high voltage spike sources. Separate sensor and controller wiring from "dirty" power lines. Ground heaters -Replace EEPROM

## **RETURNS**

No product returns can be accepted without a completed Return Material Authorization (RMA) form.

## **TECHNICAL SUPPORT**

Technical questions and troubleshooting help is available from Tempco. When calling or writing please give as much background information on the application or process as possible.

E-mail: [techsupport@tempco.com](mailto:techsupport@tempco.com)

Phone: 630-350-2252  
800-323-6859

**Note:** Information in this manual was deemed correct at the time of printing. The policy of Tempco is one of continuous development and product improvement, and we reserve the right to modify specifications and designs without prior notice. Not responsible for typographical errors.

# Custom Manufacturer Since 1972

ELECTRIC HEATING ELEMENTS • TEMPERATURE CONTROLS • SENSORS • PROCESS HEATING SYSTEMS

## HEAT THINGS UP!

With Thousands of Design Variations  
We Make Everything You Need.

Band Heaters	Cartridge Heaters
Cast-In Heaters	Coil & Cable Heaters
Radiant Heaters	Strip Heaters
Flexible Heaters	Tubular Heaters
Process Heaters	Instrumentation
Temperature Control	Temperature Sensors



607 N. Central Avenue Wood Dale, IL 60191-1452 USA  
P: 630-350-2252 Toll Free: 800-323-6859  
F: 630-350-0232 E: [info@tempco.com](mailto:info@tempco.com)  
[www.tempco.com](http://www.tempco.com)