

USER INSTRUCTIONS

**Intelligent, Economy
2-wire Transmitters**

MINIPAQ[®]-HLP



The user instruction must be read prior to adjustment and/or installation.
All information subject to change without notice.

MEASURE OF SUCCESS



INOR

INOR Process AB, PO Box 9125, SE-200 39 Malmö, Sweden,
Phone: +46 40 312 560, Fax: +46 40 312 570, E-mail: support@inor.se

INOR Transmitter OY, Unikkotie 13, FI-01300 Vantaa, Finland,
Phone: +358 10 421 7900, Fax: +358 10 421 7901, E-mail: myynti@inor.fi

INOR Transmitter GmbH, Am See 24, D-47279 Duisburg, Germany,
Phone: +49-203 7382 762 0, Fax: +49-203 7382 762 2, E-mail: info@inor-gmbh.de

KROHNE Temperature Division INOR, 7 Dearborn Road,
Peabody, MA 01960, USA,
Phone: +1 978 826 6900, Fax: +1 978 535 3882, E-mail: inor-info@krohne.com

www.inor.com, www.inor.se



This product should not be mixed with other kind of scrap, after usage.
It should be handled as an electronic/electric device.

MEASURE OF SUCCESS

GENERAL INFORMATION

MinIPAQ-HLP is a two-wire transmitter intended to be used in industrial environment.

The transmitter is configured from a standard IBM compatible PC by using the MinIPAQ Soft program. To get full functionality of the MinIPAQ-HLP use MinIPAQ Soft v1.20 or later. When the transmitter is set from a PC no calibration is needed. The manual is on-line. MinIPAQ Soft is compatible with Windows 98SE, Windows NT Workstation 4.0, Windows 2000 and Windows XP.

ORDERING INFORMATION

Transmitter	
MinIPAQ-HLP	70MQHLP002
Software and cable	
Basic configuration kit including Software CD and cables	70CFGUS001
Accessories	
Surface mounting box	70ADA00008
Rail mounting box	70ADA00009
Head mounting kit	70ADA00017
Rail mounting kit	70ADA00013

LIMITED WARRANTY

INOR Process AB, or any other affiliated company within the Inor Group (hereinafter jointly referred to as "Inor"), hereby warrants that the Product will be free from defects in materials or workmanship for a period of five (5) years from the date of delivery ("Limited Warranty"). This Limited Warranty is limited to repair or replacement at Inor's option and is effective only for the first end-user of the Product. Upon receipt of a warranty claim, Inor shall respond within a reasonable time period as to its decision concerning:

- 1 Whether Inor acknowledges its responsibility for any asserted defect in materials or workmanship; and, if so,
- 2 the appropriate cause of action to be taken (i.e. whether a defective product should be replaced or repaired by Inor).

This Limited Warranty applies only if the Product:

- 1 is installed according to the instructions furnished by Inor;
- 2 is connected to a proper power supply;
- 3 is not misused or abused; and
- 4 there is no evidence of tampering, mishandling, neglect, accident damage, modification or repair without the approval of Inor or damage done to the Product by anyone other than Inor.

This Limited Warranty is provided by Inor and contains the only express warranty provided.

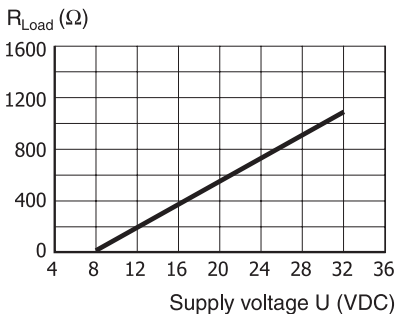
INOR SPECIFICALLY DISCLAIMS ANY EXPRESS WARRANTY NOT PROVIDED HEREIN AND ANY IMPLIED WARRANTY, GUARANTEE OR REPRESENTATION AS TO SUITABILITY FOR ANY PARTICULAR PURPOSE, PERFORMANCE, QUALITY AND ABSENCE OF ANY HIDDEN DEFECTS, AND ANY REMEDY FOR BREACH OF CONTRACT, WHICH BUT FOR THIS PROVISION, MIGHT ARISE BY IMPLICATION, OPERATION OF LAW, CUSTOM OF TRADE OR COURSE OF DEALING, INCLUDING IMPLIED WARRANTIES OF MERCHANTABILITY AND FITNESS FOR A PARTICULAR PURPOSE. EXCEPT AS PROVIDED HEREIN, INOR FURTHER DISCLAIMS ANY RESPONSIBILITY FOR LOSSES, EXPENSES, INCONVENIENCES, SPECIAL, DIRECT, SECONDARY OR CONSEQUENTIAL DAMAGES ARISING FROM OWNERSHIP OR USE OF THE PRODUCT.

Products that are covered by the Limited Warranty will either be repaired or replaced at the option of Inor. Customer pays freight to Inor, and Inor will pay the return freight by post or other "normal" way of transport. If any other type of return freight is requested, customer pays the whole return cost.

DATA (shortform)

Power supply:	8.0 - 32 VDC
Ambient temperatur:	-40 - + 85°C -40 - + 185°F
Mounting:	DIN B head

Permissible R_{Load} at 22 mA output



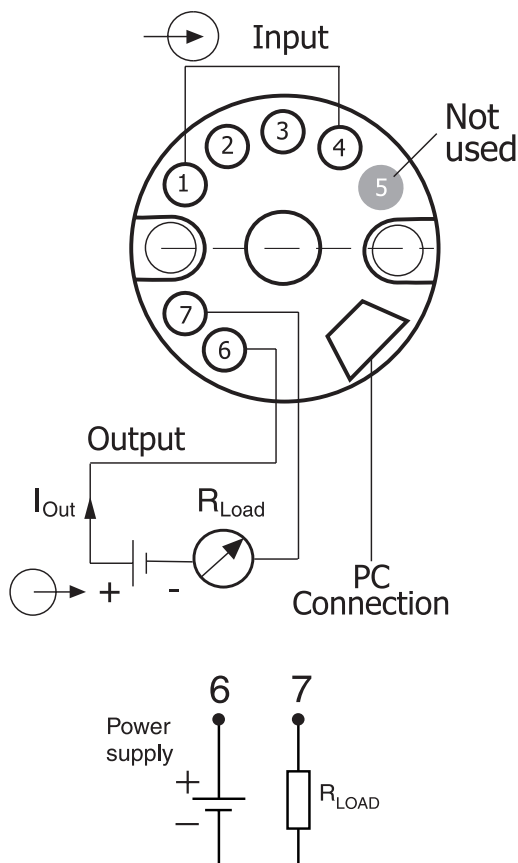
$$R_{Load} = (U-8)/0.022$$

CALIBRATION

It is recommended to check the calibration once a year. Use equipment with an inaccuracy of at least 5 times better than the checked transmitter, e.g. if you are checking a transmitter with an inaccuracy of maximum 0.1% use instrument with an inaccuracy of maximum 0.02%.

Use the MinIPAQ Soft Basic Calibration function in the Options menu, and follow the instructions on the screen.

CONNECTIONS



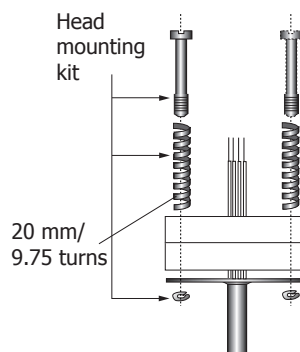
CONFIGURATION

The help file in MinIPAQ Soft contains complete information about the configuration procedure. If MinIPAQ Soft (the MinIPAQ Software) is not installed in your PC, install the software.

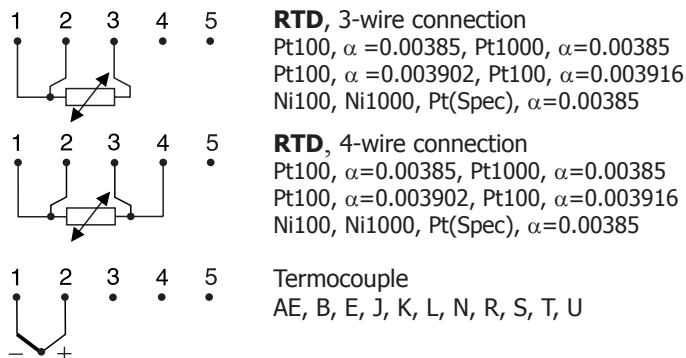
The MinIPAQ-HLP can be configured with the software MinIPAQ Soft, the cables and the USB interface included in the Basic Configuration Kit, 70CFGUS001. Configuration can be performed with or without connected powersupply. If the transmitter is operating in the process. During transmission from the PC, the transmitter output is frozen. When the transfer is complete the transmitter begins using the new parameters.

The most updated version of MinIPAQ Soft can be downloaded from our homepage at: <http://www.inor.com/Download>

MOUNTING



INPUTS / OUTPUTS



DIMENSIONS

